

# FURUTECH

PURE TRANSMISSION



**Ag-16**



**Ag-16-L**



**Ag-16-R4**

## **The Ag-16 series** **Silver-plated $\alpha$ (Alpha) OCC Phono Cable**

### **La Grande Épreuve**

Grand Prix racing's single focus: Testing the absolute limits of technology and performance. Furutech builds each and every cable in their line the same way. Optimized engineering solutions applied to advanced materials and processes with utterly meticulous build quality for the ultimate test.

Phono cartridge output is vanishingly small and easily polluted by RFI and EMI. Every element of signal transfer must be perfectly engineered to avoid distortion that robs music of life. If you're going to the trouble of playing vinyl why swamp the low-level signal in a veritable soup of noisy distortion right at its source!

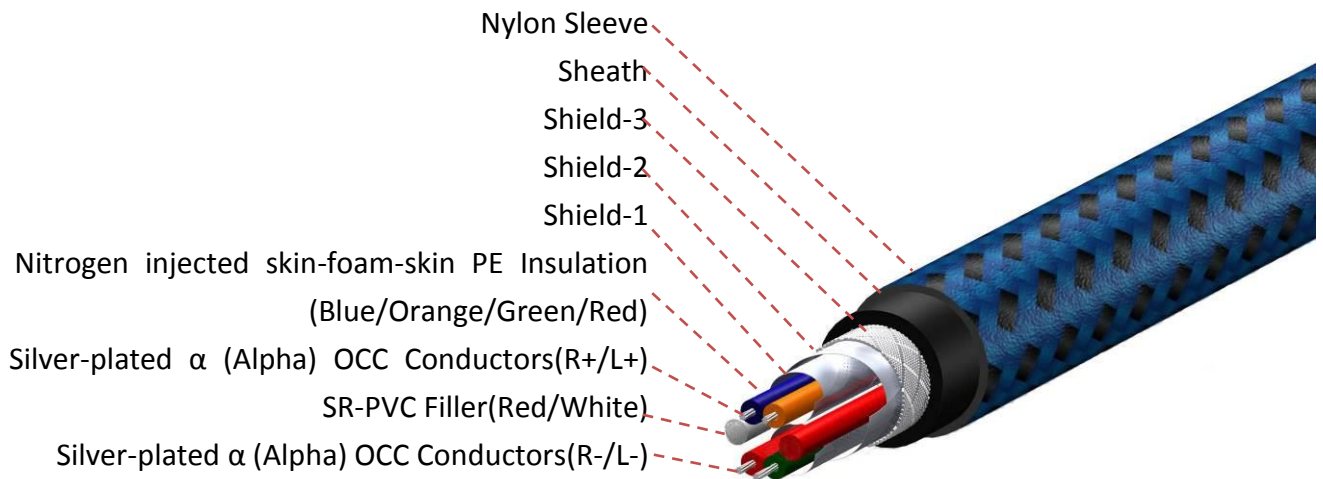
All enthusiasts are looking for the same qualities: Verisimilitude to the original event, a sense of engagement promoting suspension of disbelief, an immersion in audio and video experience. To engage without effort requires meticulous preparation of the entire playback chain especially including cables and most importantly at the signal source.

The Ag-16 Phono Cable achieves its remarkably quiet soundstage and transparent presentation with silver-plated  $\alpha$  OCC conductor, three-layer shielding and external ground wire, even a specially engineered cable clamp to improve grip and avoid any potential distortion.

### **Ag-16 Phono Cable Features**

- Silver-plated  $\alpha$  (Alpha) OCC Conductors
- Three-layer shielding for improved noise insulation
- Four-way grounding and external ground wire
- Insulation/Dielectric: Special-grade nitrogen injected skin-foam-skin polyethylene
- Connectors: Furutech-engineered rhodium-plated Carbon and Stainless finished CF-DIN connector or L-DIN connector and CF-126(R)  $\alpha$  (Alpha) OCC RCA connectors or CF-601M XLR connectors.
- Carefully engineered cable clamp improves grip and reduces mechanical and electrically-induced distortion
- Dimensions: Cable diameter approx. 8.0 mm • Overall length: 1.1M/set

*Cable Construction:*



***Ag-16 comes terminated with Furutech's high end performance CF-DIN or FP-DIN(L) and CF-126(R) RCA Connectors or CF-601M XLR connectors.***



**CF-DIN**



**FP-DIN(L)**



**CF-126**



**CF-601M**

***Specifications for CF-DIN***

- Rhodium-plated  $\alpha$  (Alpha) Phosphor bronze conductor
- Fluoropolymer Insulated Body
- Nonmagnetic stainless steel and Carbon fiber finished Housing
- Conductor wire fixed by soldering.
- Specified for cable diameters max. 11.0mm
- Dimensions: 14.2mm diameter x 40.2mm overall length

***Specifications for CF-126(R) RCA***

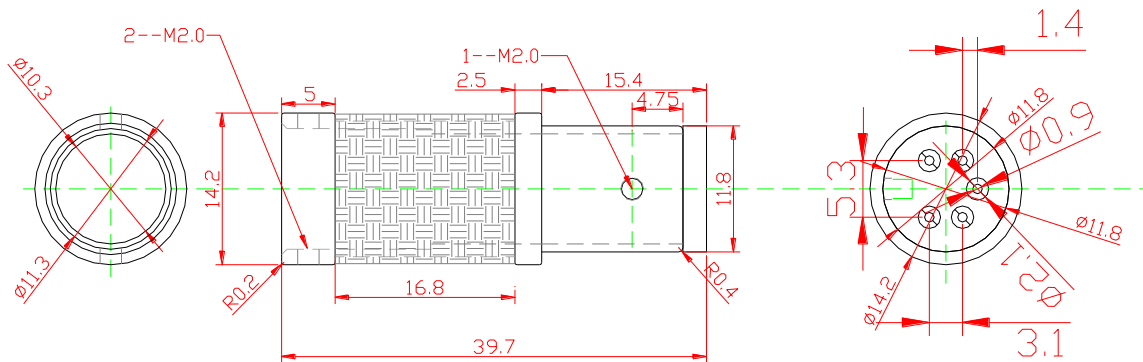
- $\alpha$  (Alpha) OCC rhodium-plated center conductor
- $\alpha$  (Alpha) copper alloy rhodium-plated body Insulated with Fluoropolymer
- Shells: Nonmagnetic stainless steel and layered carbon fiber
- Conductor wire fixed by soldering.
- Specified for cable diameters max. 7.3mm
- Dimensions: 13.0mm diameter x 39.3mm overall length

***Specifications for CF-601M(R) XLR***

- $\alpha$  (Alpha) Beryllium copper and phosphor bronze Rhodium-plated Conductor
- Carbon fiber and nonmagnetic stainless steel housing
- Body with Audio grade PVDF Fluoropolymer insulation
- Specifically designed internal cable strain relief.
- Connections: Soldered
- Specified for cable diameters up to 10.0mm (Standard version)
- Dimensions: 18.6mm  $\pm$  0.1mm diameter x 65.5mm  $\pm$  0.1mm overall length.

**Specifications for FP-DIN (L)**

- Rhodium-plated  $\alpha$  (Alpha) Phosphor bronze conductor
- Fluoropolymer Insulated Body
- Nonmagnetic Zn-Mg hybrid die-casting Housing
- Conductor wire fixed by soldering.
- Specified for cable diameters max. 10.0mm
- Dimensions: 45(L) X 19(W) X 33.4(H) mm approx.
- **adjustable pin orientation – only on custom order**



**CF - Din Connector Out side Size**

FURUTECH CO., LTD • [service@furutech.com](mailto:service@furutech.com) • [www.furutech.com](http://www.furutech.com)

Product name	Product Introduction	JAN CODE
Ag-16	Silver-plated $\alpha$ (Alpha) OCC Phono Cable (DIN-RCA)	
Ag-16-L	Silver-plated $\alpha$ (Alpha) OCC Phono Cable (L DIN-RCA)	
Ag-16-R4	Silver-plated $\alpha$ (Alpha) OCC Phono Cable (RCA-RCA)	
Ag-16-XLR	Silver-plated $\alpha$ (Alpha) OCC Phono Cable (DIN-XLR)	Custom order
Ag-16-L-XLR	Silver-plated $\alpha$ (Alpha) OCC Phono Cable (L DIN- XLR)	Custom order